



# QUICK START GUIDE FOR SX-3000 STANDALONE INTEGRATED MEDIA BLOCK™ WITH PORTABLE STORAGE

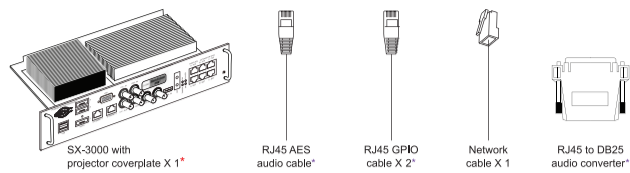
English version  
SMS version 9.0  
September 11, 2017

## STEP 1 Packing list

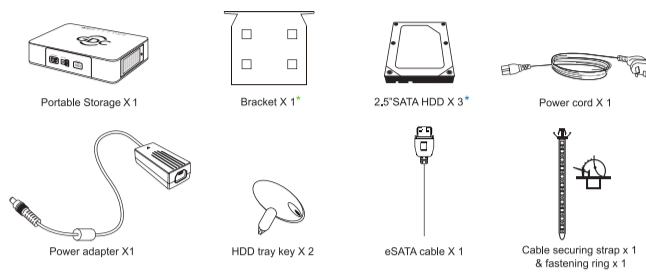
This section provides a suggested installation configuration of GDC SX-3000 and Portable Storage for reference. Please contact our sales representatives to specify the accessory needed for the installation.

1. Remove the packaging from the box.
2. Check the contents of the box. The contents may vary by country/ region. Refer to the packaging for the actual contents.

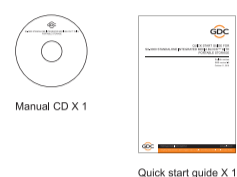
### SX-3000 Standalone Integrated Media Block™



### Portable Storage



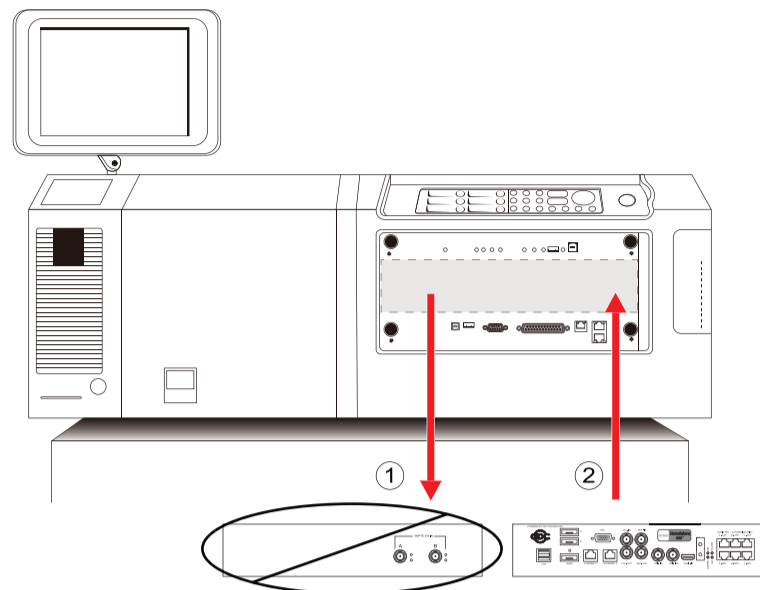
### Technical Document



\* The type of coverplate depends on projector model.  
\*\* The type and number of brackets may vary by shipment.  
\*\*\* The number of HDD is subject to change without notice due to ongoing product development and improvement.  
\*\*\*\* Subject to actual configuration. Please specify with our sales representatives.

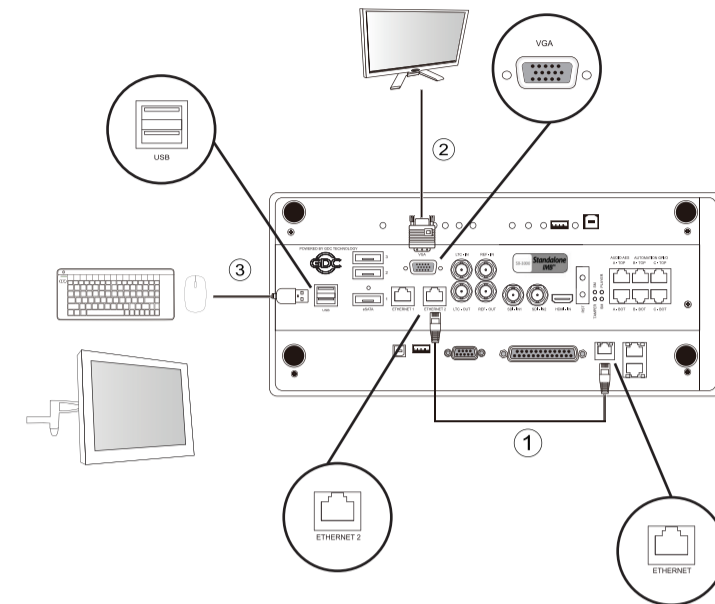
## STEP 2 Installing SX-3000

1. Remove existing interface board/ placeholders from projector. (the location of board/ placeholders are different for each projector)
2. Install the SX-3000 into the projector. Please refer to Section 2 of SX-3000 with Portable Storage/ Enterprise Storage installation manual for installing SX-3000 into different projector models.



## STEP 3 Projector network

1. Connect the provided Cat-5e LAN cable from the SX-3000 Ethernet 2 port to the projector's Ethernet port.
2. Connect an external monitor to the front VGA connection of the SX-3000.
3. Connect keyboard and mouse or touch panel control (TPC) to the USB connection of the SX-3000.



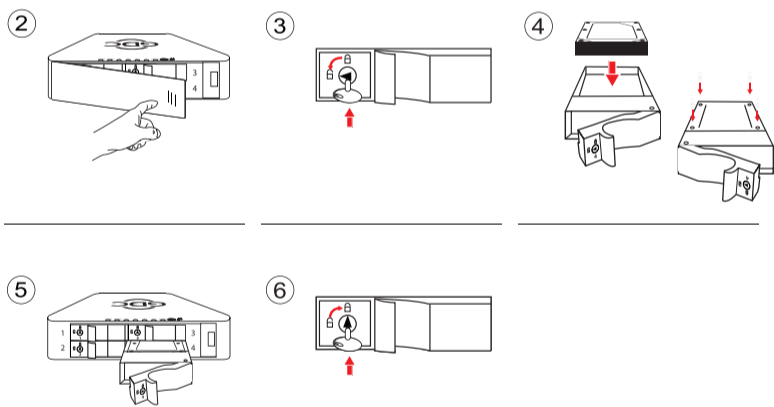
Powering your digital cinema experience  
www.gdc-tech.com  
Hong Kong • Beijing • Shenzhen • Jakarta • Singapore • Tokyo • Los Angeles • Lima • Mexico City • São Paulo • Barcelona • Dubai • Mumbai

## STEP 4 Installing external RAID unit of Portable Storage

1. Ensure that the Portable Storage is powered off before installing the hard disk drives.
2. Push the lid to open the front door.
3. Unlock the HDD tray handle with the provided key (Rotate 90 degree anti-clockwise), and pull out the HDD tray from the Portable Storage.
4. Put the 2.5" HDD onto the HDD tray, tighten 4 screws on the bottom of the HDD tray to fix the HDD.
5. Insert the HDD tray with 2.5" HDD installed into the Portable Storage. Push the tray handle to fully insert the HDD tray, and close the tray door.
6. Lock the HDD tray with the provided key (Rotate 90 degree clockwise)

### Caution:

1. Please gently push the door when closing to avoid damaging components.
2. The HDD must be installed on the HDD tray, before inserting the tray into the Portable Storage.
3. The HDD labels should be facing up and the connector should be facing down when installing the HDD onto the HDD tray.
4. Do not force the HDD tray into the housing if you think it is installed incorrectly. This may damage the Portable Storage.
5. Do not take out the HDDs during operation.
6. During operation, the temperature of the HDD tray may exceed 50°C. Please take care when handling hot drives.

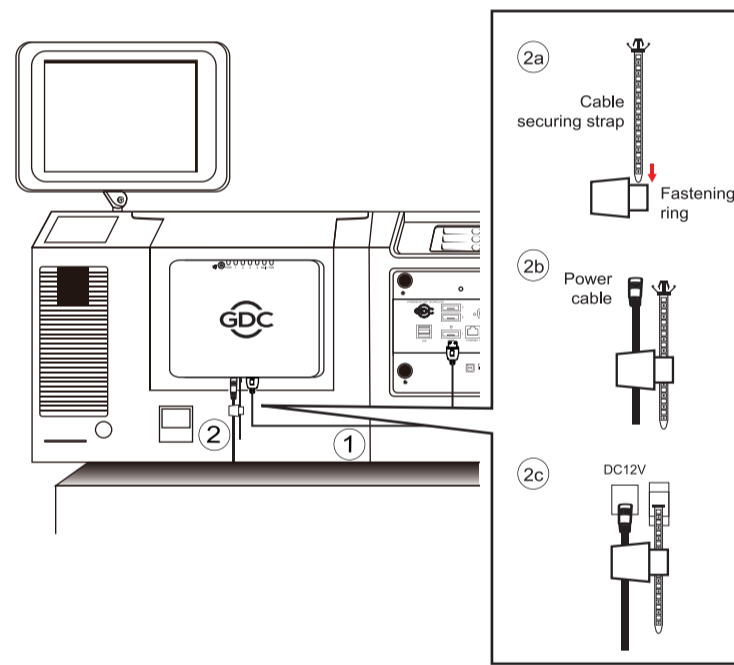


## STEP 5 Installing Portable Storage onto the projector

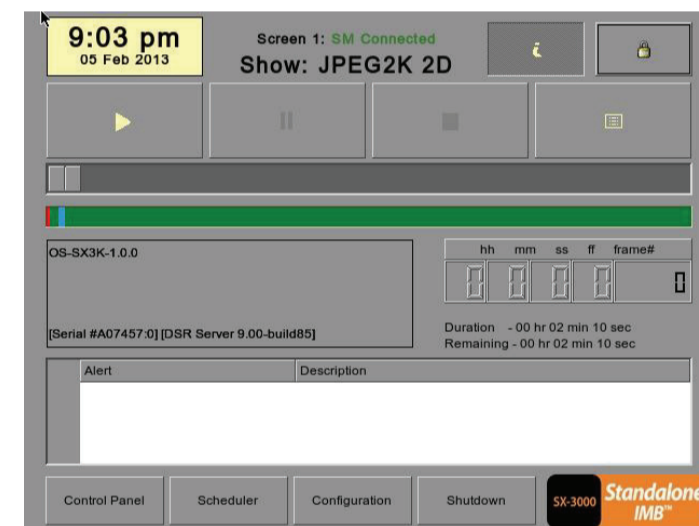


## STEP 6 Connecting drive bay of Portable Storage to SX-3000

1. Connect the eSATA port on the back of the Portable Storage to the eSATA port 1 on the SX-3000.
2. Connect the provided power supply (12V) to a power source and to the back of the Portable Storage. To better secure the power cable, follow the steps below.
  - 2a. Insert the cable securing strap into the fastening ring.
  - 2b. Use the fastening ring to clip the power cable.
  - 2c. Insert the cable securing strap into the port next to DC12V port, and insert the power cable into DC12V port.
3. Power on the Portable Storage with the switch next to the power plug. Then power on the projector with SX-3000 before moving on to Step 7.



## STEP 7 Operating the SX-3000 with the Portable Storage

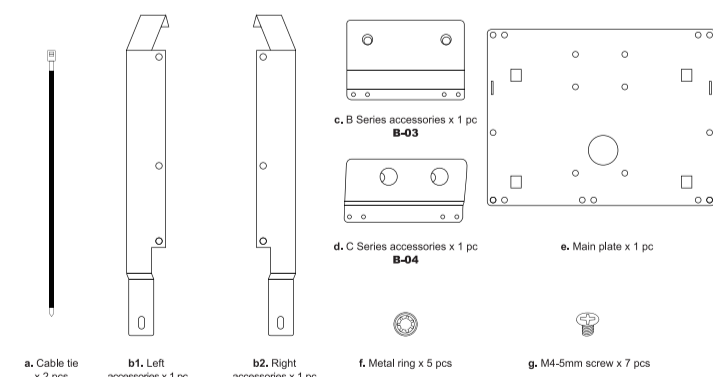


You can now start to use the SX-3000 and Portable Storage by accessing the SMS interface. For details, please refer to SX-3000 with Portable Storage/ Enterprise Storage user manual.

## APPENDIX Installation Procedure for Bracket of Portable Storage

### Barco B & C Series and DP2K-10S (S2K Series) Bracket 1, M1000-B

#### Parts List

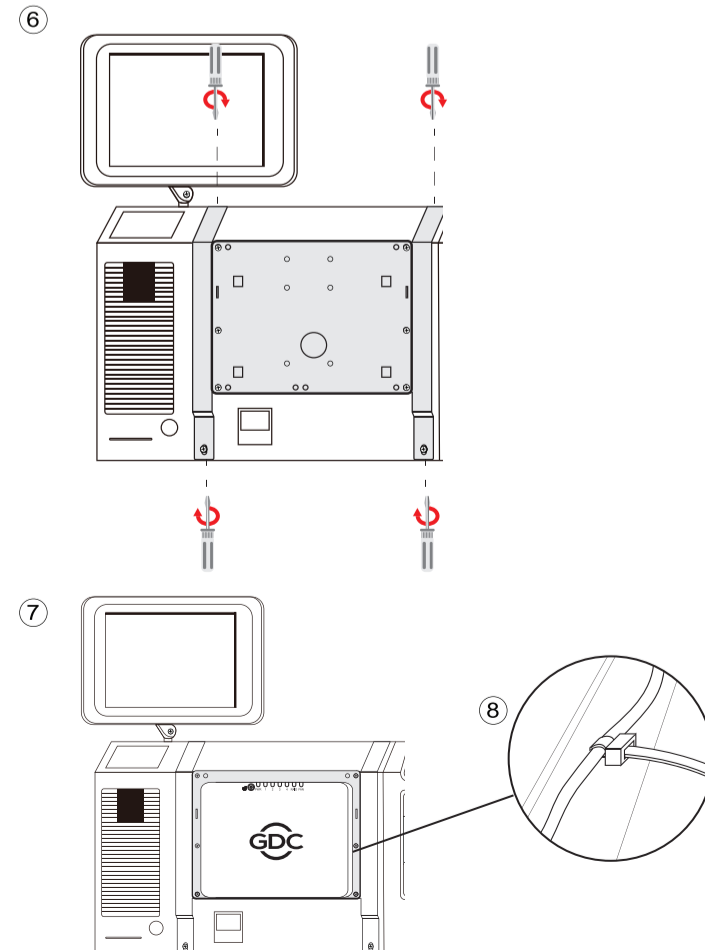
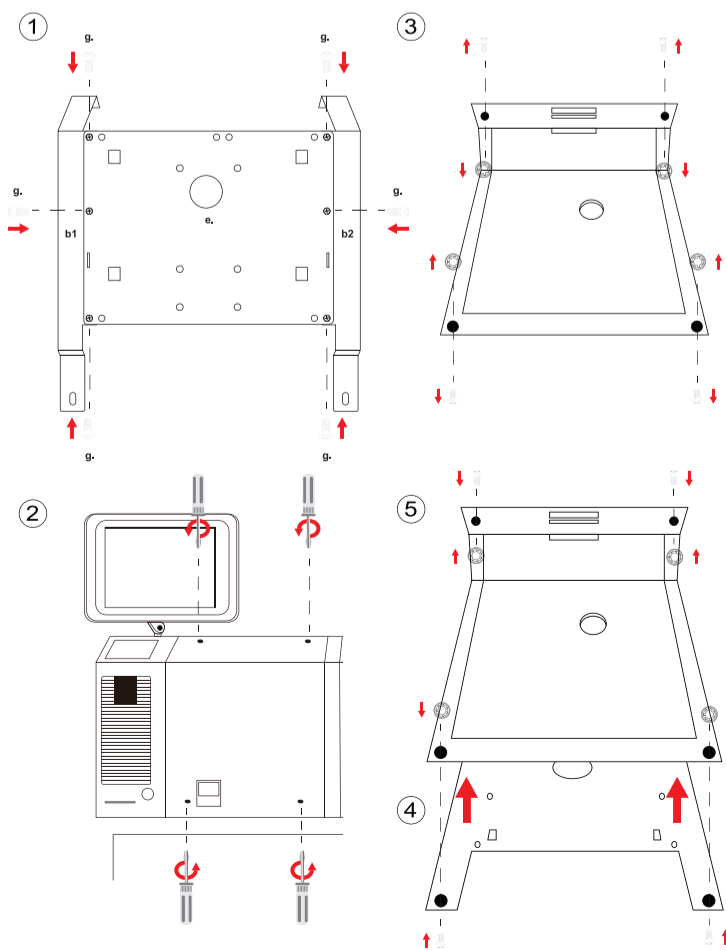


### For Barco DP2K-10S (S2K Series) Projector

Mounting Location: Side of the Projector

#### Installation Procedure

1. Install parts "b1" and "b2" onto the Main Plate by putting "g" screws into six screw holes at the two sides.
2. Loosen the four screws on the projector in order to take off the side cover.
3. Cut and remove the original metal rings from the screws and remove each screw from their hole.
4. Place the bracket onto the side cover.
5. Put the four screws back into the side cover and attach the new metal rings onto the screws.
6. Install the side cover back onto the projector and tighten the four screws.
7. Insert the Portable Storage onto the bracket.
8. Lastly, use the cable tie to secure the DC power cord on the right hand side of bracket.

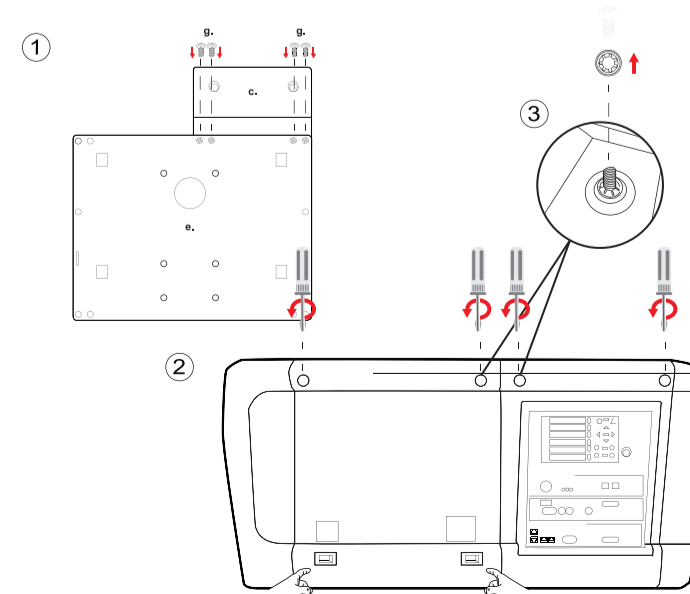


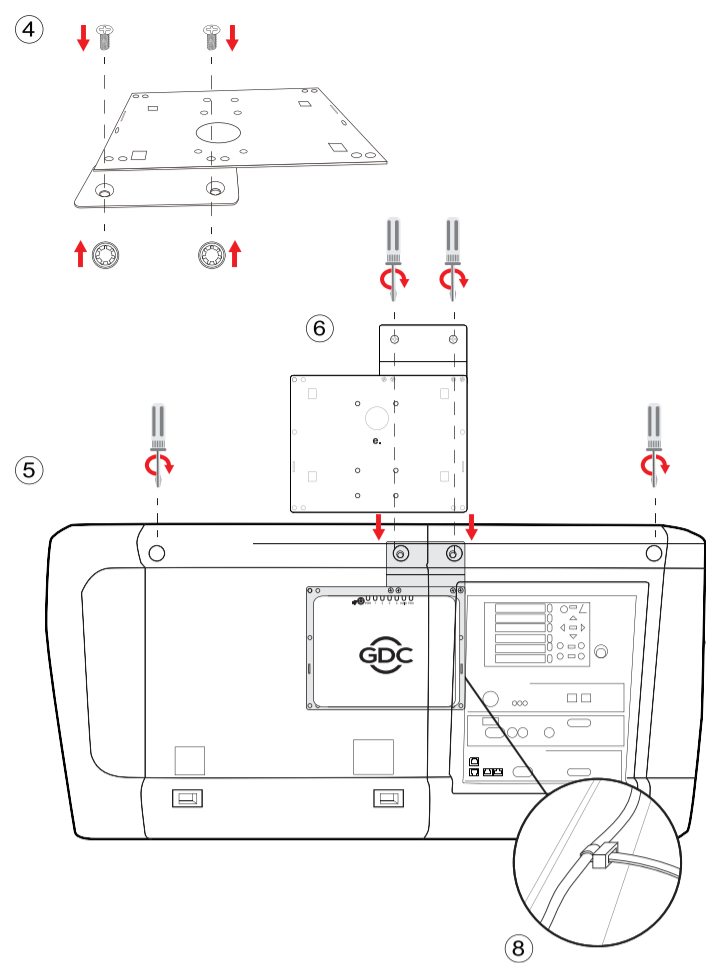
## For Barco B Series Projector

Mounting Location: Side of the Projector

#### Installation Procedure

1. Install part "c" onto the Main Plate by putting "g" screws to the four screw holes at top right corners.
2. Loosen the four screws on the side of projector. Slide the lock on the bottom of the left side cover in order to uninstall and then take out the right hand side cover also.
3. Turn to the inside of the side cover. Cut and remove the metal rings from the screws. Take out the screws from the side cover.
4. Insert the screws into the bracket and attach the new metal ring on the back side of the screws.
5. Install the side cover back to the projector and tighten the two screws.
6. Put the bracket onto the side cover. Align the screw holes and tighten the two screws.
7. Insert the Portable Storage onto the bracket.
8. Lastly, use the cable tie to secure the DC power cord on the right hand side of bracket.





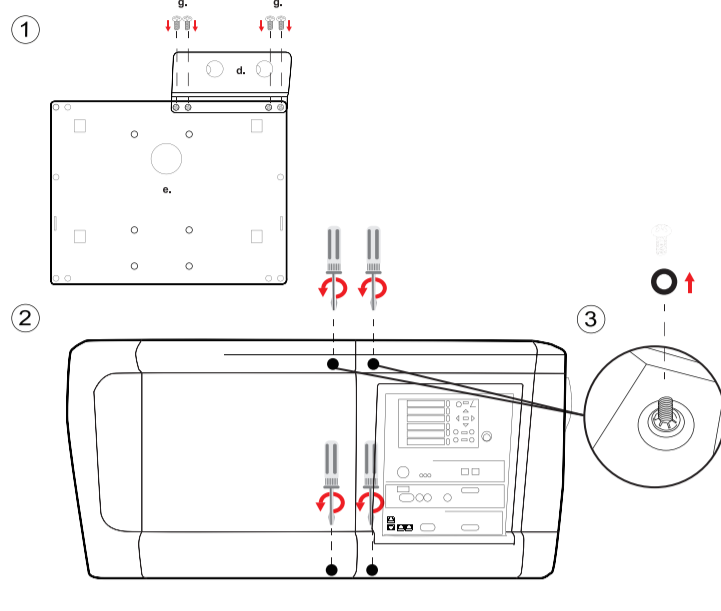
page 13

### For Barco C Series Projector

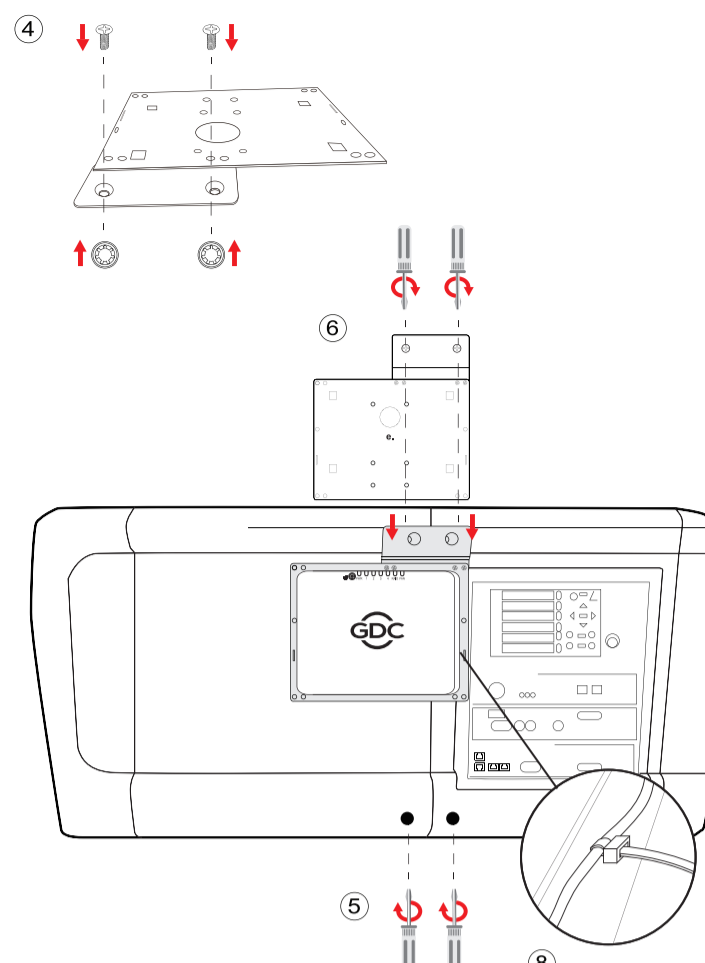
Mounting Location: Side of the Projector

#### Installation Procedure

1. Install part "d" onto the Main Plate by putting "g" screws into the four screw holes at top right corners.
2. Loosen the four screws on the side of projector and uninstall the side cover.
3. Turn to the inside of the side cover and remove the metal or plastic rings on the screws. Take out the screws from the side cover.
4. Insert the screws into the bracket and attach the new metal rings on the back side of the screws.
5. Install the side cover back to the projector and tighten the two screws.
6. Put the bracket onto the side cover. Align the screw holes and tighten the two screws.
7. Insert the Portable Storage onto the bracket.
8. Lastly, use the cable tie to secure the DC power cord on the right hand side of bracket.



page 14



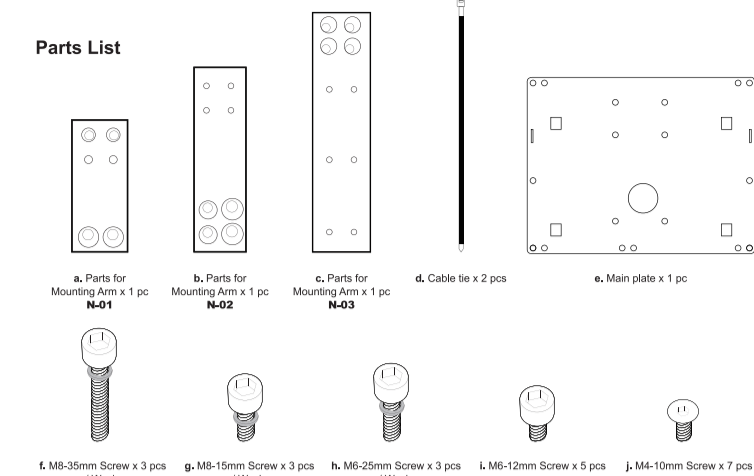
page 15

### NEC 2K & 4K Projector

Bracket 2. M1000-N

Mounting Location: Front Side of the Projector

#### Parts List

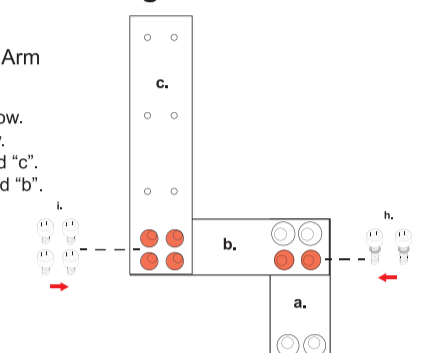


### Install Bracket of Portable Storage on NEC 2K/ 4K Projector

A. Assemble for the Mounting Arm

#### Installation Procedure

1. Set the parts "a" and "b" as below.
2. Set the parts "c" on "b" as below.
3. Use four "i" screws to fix "b" and "c".
4. Use two "h" screws to fix "a" and "b".

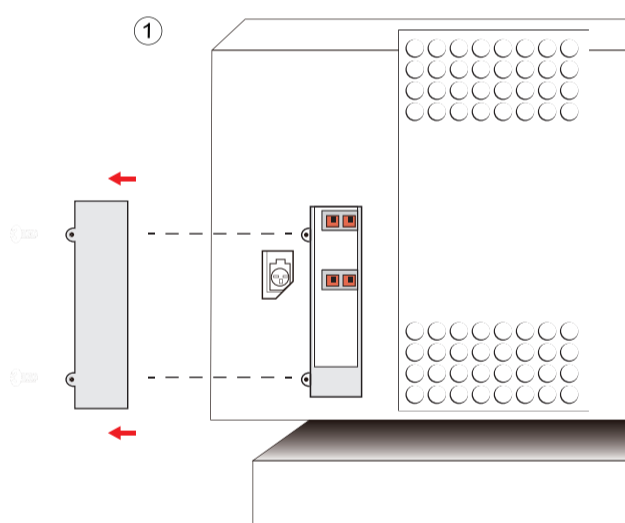


page 16

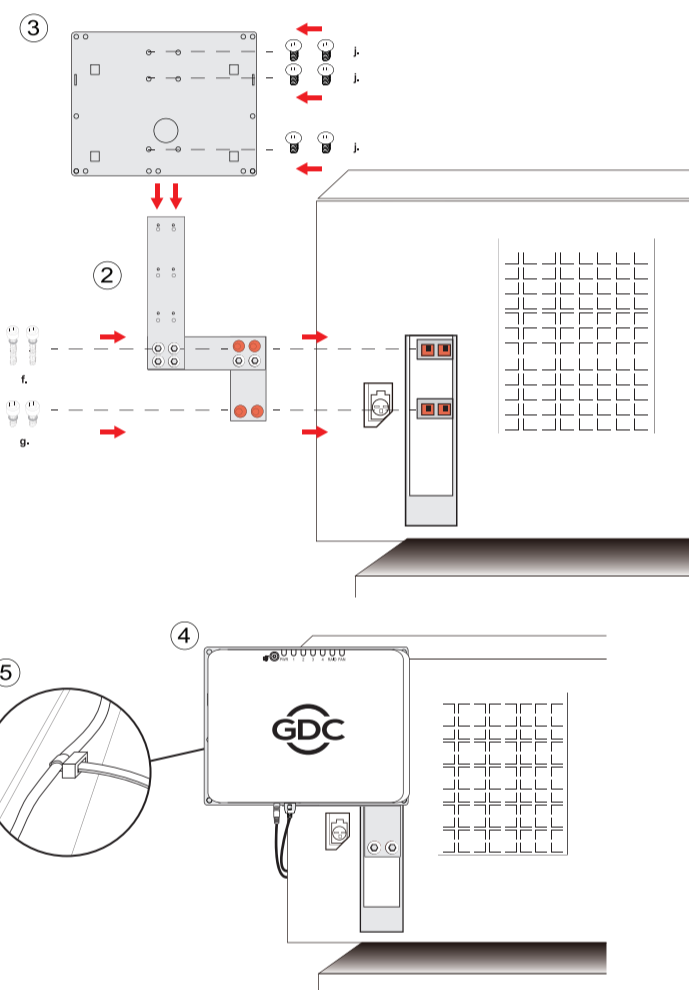
### B. Install the Bracket onto the Projector

#### Installation Procedure

1. Loosen the screws and open the small cover in the front side of projector.
2. Put the mounting arm onto the projector. Align the screw holes with the projector and tighten with two "f" and "g" screws respectively.
3. Install the two parts of the bracket. Align the screw holes and tighten with six "j" screws.
4. Insert the Portable Storage onto the bracket.
5. Lastly, use the cable tie to secure the DC power cord on the left hand side of bracket.



page 17

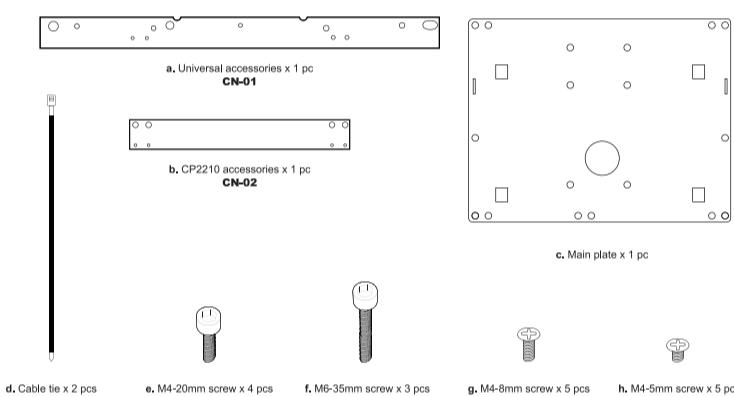


page 18

### NEC NC900C (S2K Series) and Christie CP2210, CP2220 & CP2230

Bracket 3. M1000-CN

#### Parts List



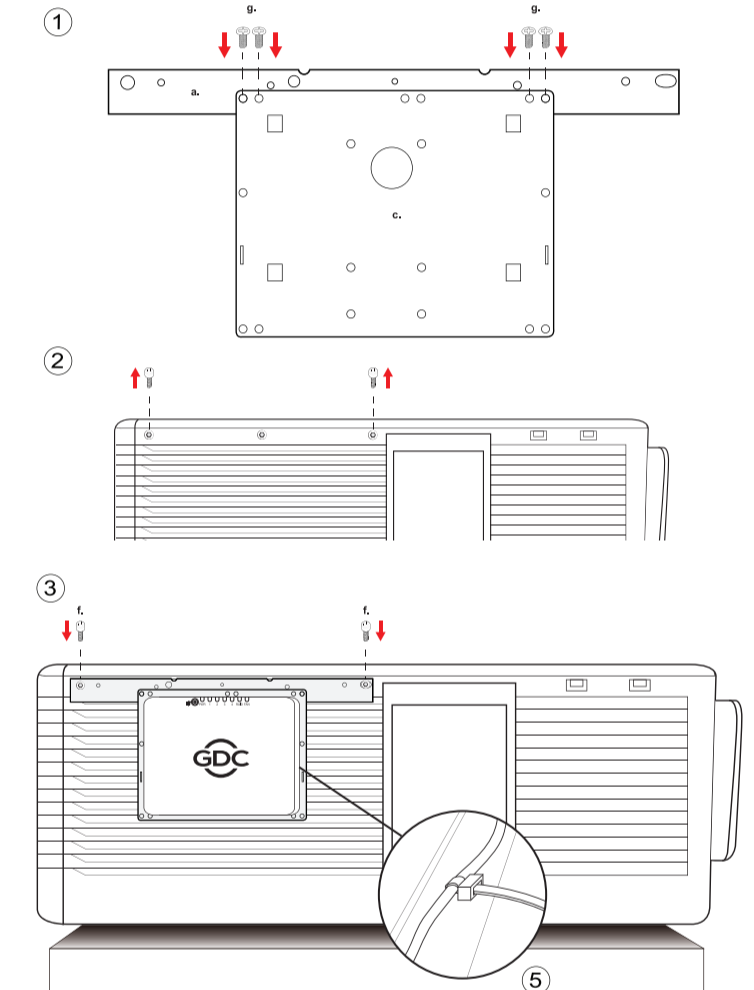
### For Christie CP2220 & CP2230 Projector

Mounting Location: Side of the Projector

#### Installation Procedure

1. Install the Main Plate onto part "a" by putting "g" screws into "M1" screw holes.
2. Remove the two screws on side of the projector.
3. Place the bracket onto the projector and align the screw holes. Fix it onto the projector with two "f" screws by using "B" screw holes in side A of part "a".
4. Insert the Portable Storage onto the bracket.
5. Lastly, use the cable tie to secure the DC power cord on the right hand side of bracket.

page 19



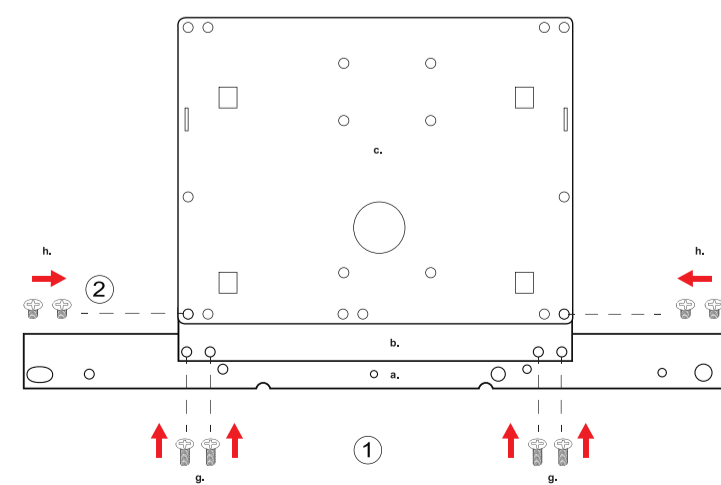
page 20

### For Christie CP2210 Projector

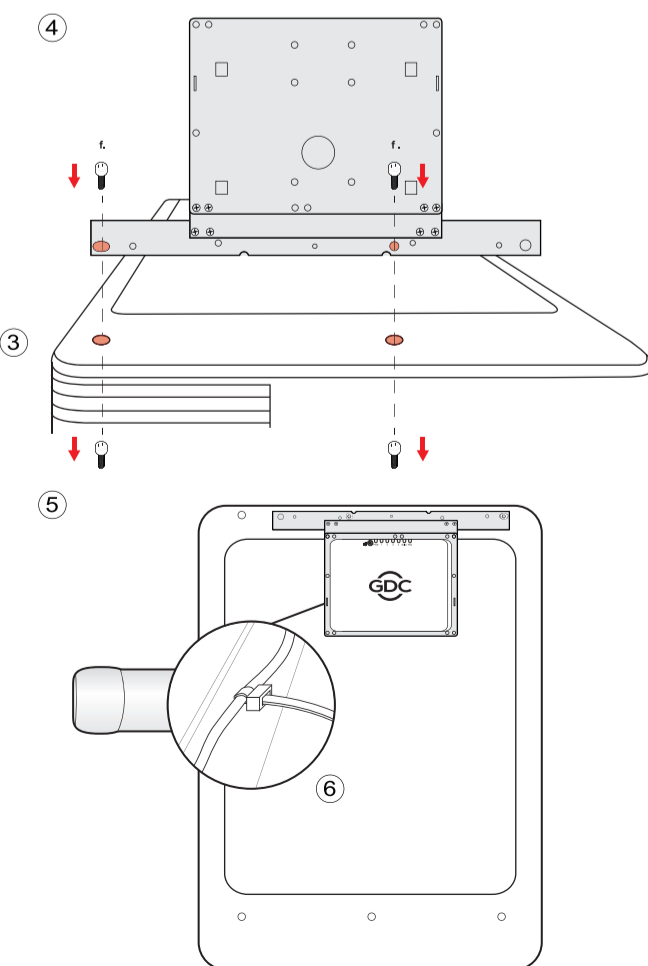
Mounting Location: Top Side of the Projector

#### Installation Procedure

1. Install part "b" onto part "a" by putting "g" screws into "M1" screw holes in side A of part "a".
2. Connect the Main Plate with the metal bar assembly by using the four "h" screws.
3. Remove the two screws on top of the projector.
4. Put the bracket onto the projector and align the screw holes. Fix it onto the projector with two "f" screws by using "A" screw holes in side A of part "a".
5. Insert the Portable Storage onto the bracket.
6. Lastly, use the cable tie to secure the DC power cord on the right hand side of bracket.



page 21



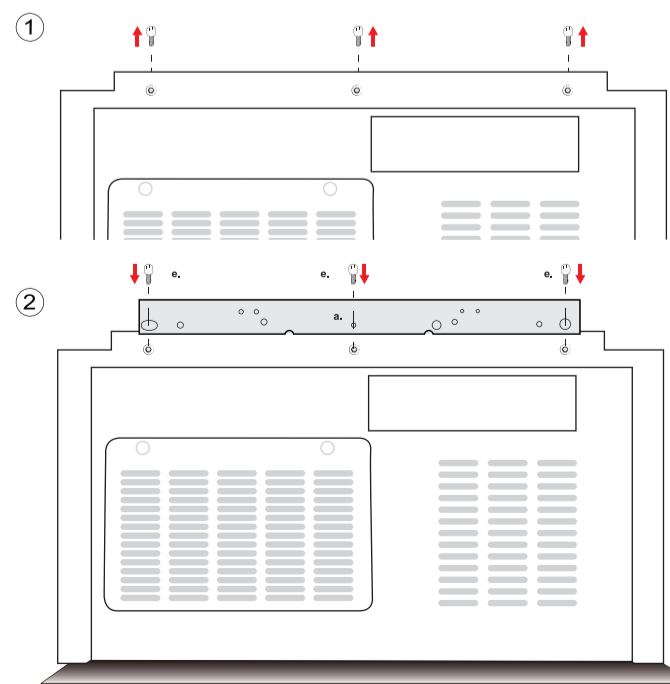
page 22

### For NEC NC900C (S2K Series) Projector

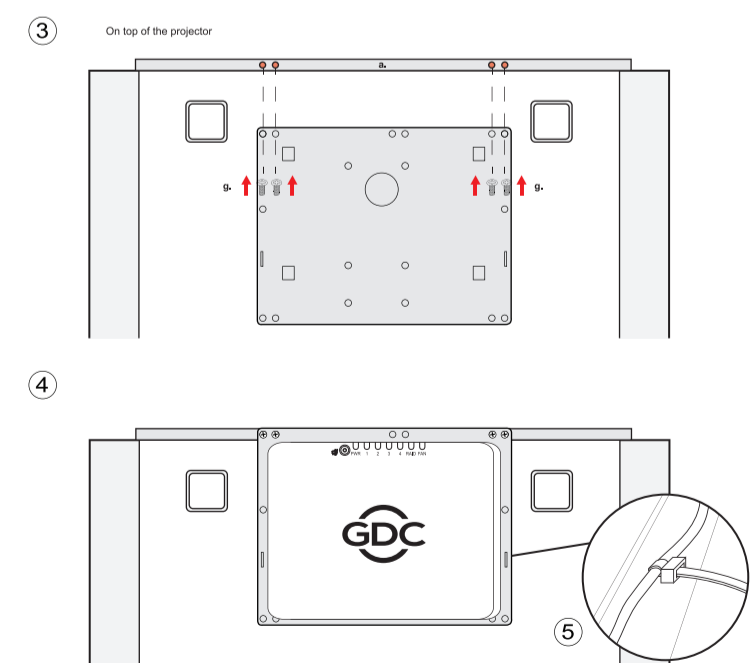
Mounting Location: Top Side of the Projector

#### Installation Procedure

1. Remove the three screws located on the back side of the projector.
2. Install part "a" on the projector and tighten the screws "e" by using "C1" screw holes in side A of part "a".
3. Put part "c" on top of the projector and fix it on part "a" by putting "g" screws into "M2" screw holes in side B of part "a".
4. Insert the Portable Storage onto the bracket.
5. Lastly, use the cable tie to secure the DC power cord on the right hand side of bracket.



page 23



page 24

Should you have any questions, please contact 24/7 engineering support hotline:

North America	+1 877 743 2872 (Toll Free)	Latin America	+52 55 8851 1198
Europe	+34 928 912 295	China	+86 400 886 0966 (Toll Free)
North Asia	+852 3520 0920	India	+91 022 4044 0500
South East Asia	+65 6100 4328	Australia / New Zealand	+61 407 040 744

Copyright © 2017 GDC Technology Limited, All rights reserved. All trademarks listed in this manual are properties of their respective owners. Specifications are subject to change without notice due to ongoing product development and improvement.

GDC-0171-1709-V0E